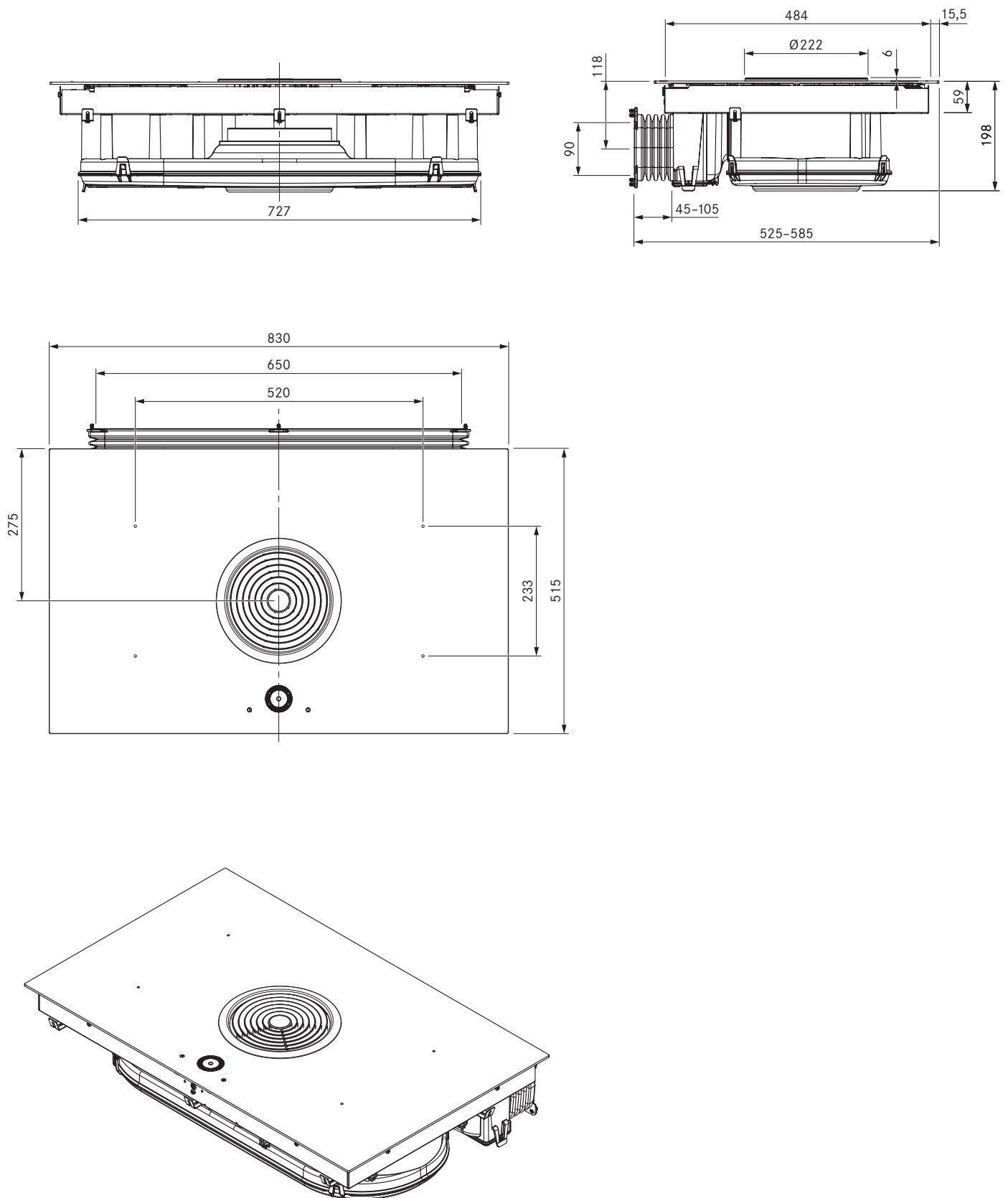


BFIU

BORA surface induction glass ceramic cooktop with cooktop extractor – recirculation



BORA surface induction glass ceramic cooktop with cooktop extractor – recirculation

Technical data	
Supply voltage	380 – 415 V 2N/3N
Supply voltage	220 – 240 V
Frequency	50 Hz
Maximum power consumption	7.6 kW (4.4 kW)
Fuse protection / power supply	3 x 16 A
Fuse protection / power supply	2 x 16 A
Fuse protection / power supply	1 x 32 A
Weight (incl. accessories/packaging)	Approx. 25 kg
Surface material	SCHOTT CERAN®
Dimensions (WxDxH)	830 x 515 x 198 mm
Cooktop	
Power levels	1 – 9, P
Front cooking zone size	205 x 230 mm
Front cooking zone power	2100 W
Front cooking zone power setting	3700 W
Rear cooking zone size	205 x 230 mm
Rear cooking zone power	2100 W
Rear cooking zone power setting	3700 W
Extraction system	
Maximum air volume	658.8 m ³ /h
Maximum static pressure	375 Pa
Power levels	1 – 9, P
Recirculation connection	650 x 90 mm
Filter medium	Activated charcoal filter with ion exchanger
Material	Filter panel with fine filter
Filter area	2 x 0.4 m ²
Service life	Max. 150 h / 1 year

Cooktop
<ul style="list-style-type: none"> ■ Automatic heat-up function ■ Bridging function ■ Power setting for all cooking zones ■ Timer function ■ Residual heat display ■ Pan size recognition ■ Pause function ■ Heat retention function ■ Childproofing feature ■ Safety shut-down ■ Power management is only possible at the front or rear on each side

Exhaust system
<ul style="list-style-type: none"> ■ Energy-saving fan (EC motor) ■ Freely adjustable power control ■ Automatic cooktop extractor function ■ Automatic after-run ■ Safety shut-down ■ Filter service display ■ Interface for external devices via Home In or Home Out ■ Power setting

Scope of delivery
<ul style="list-style-type: none"> ■ Surface induction glass ceramic cooktop with BFIU cooktop extractor ■ Stainless steel grease filter ■ Activated charcoal filter set with ion exchanger ■ Flexible duct with fixing screws ■ Mounting straps ■ Sealing tape ■ Glass ceramic scraper ■ Cable routing clips ■ Height adjustment plate set ■ Operating and installation instructions ■ Drilling template

Planning instructions
<ul style="list-style-type: none"> ■ Basic cooktop extractor system can be combined with the sockets USTF, USTE, USTJ, USTG and USTL

Accessories
<ul style="list-style-type: none"> ■ BFF stainless steel grease filter ■ BFIED air inlet nozzle ■ BUSAE exhaust air conversion set ■ UDB25 sealing tape ■ Activated charcoal filter set with BAKFS ion exchanger (x 2) ■ UGPI1 grill pan ■ BKR830 cooktop frame

- Please note that induction-compatible cookware must be used on induction cooktops
- The connection cable must be provided at the installation site
- Front power socket

Duct connection dimensions:

BFIU with flexible duct

