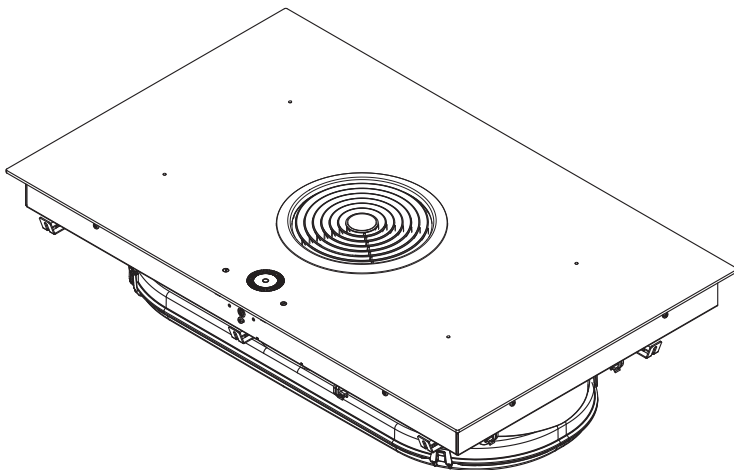
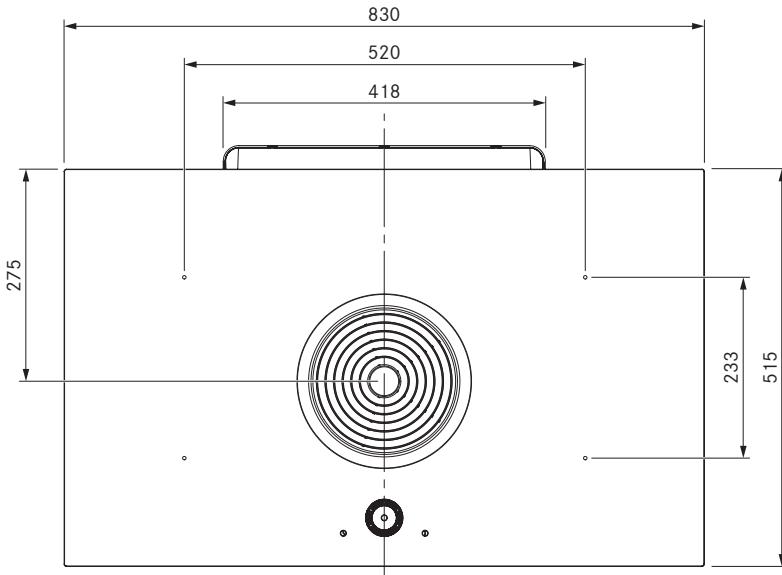
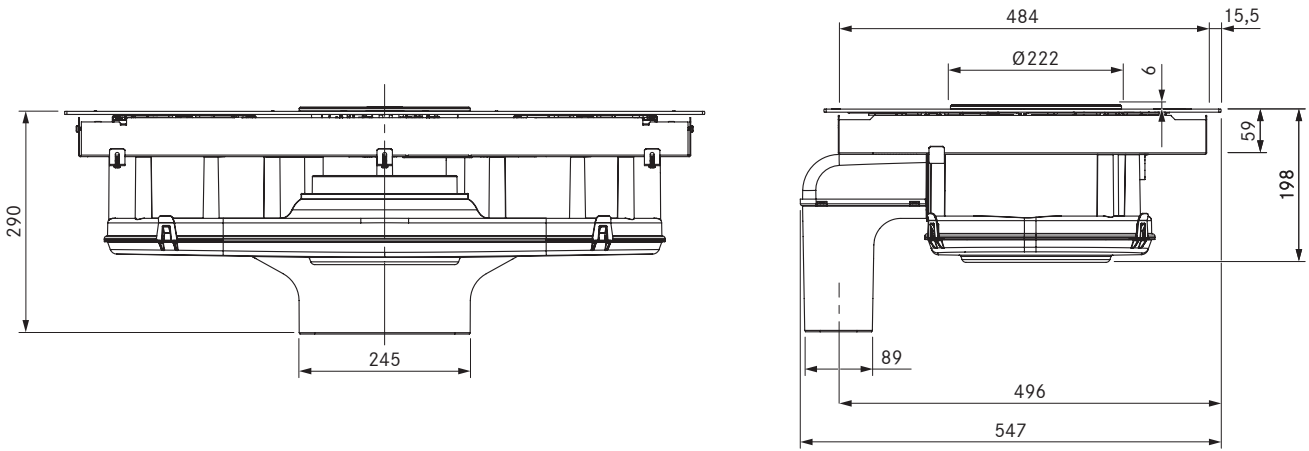


# BFIA

## BORA surface induction glass ceramic cooktop with cooktop extractor – exhaust air



## BORA surface induction glass ceramic cooktop with cooktop extractor – exhaust air

Technical data	
Supply voltage	380 – 415 V 2N/3N
Supply voltage	220 – 240 V
Frequency	50 Hz
Maximum power consumption	7.6 kW (4.4 kW)
Fuse protection / power supply	3 x 16 A
Fuse protection / power supply	2 x 16 A
Fuse protection / power supply	1 x 32 A
Dimensions (WxDxH)	830 x 515 x 198 mm
Weight (incl. accessories/packageing)	Approx. 25 kg
Surface material	SCHOTT CERAN®
Cooktop	
Front cooking zone size	205 x 230 mm
Front cooking zone power	2100 W
Front cooking zone power setting	3700 W
Rear cooking zone size	205 x 230 mm
Rear cooking zone power	2100 W
Rear cooking zone power setting	3700 W
Power levels	1 – 9, P
Extraction system	
Maximum air volume	697.3 m³/h
Maximum static pressure	372 Pa
Connection on the exhaust side	BORA Ecotube
Power levels	1 – 9, P

Cooktop
<ul style="list-style-type: none"> <li>■ Automatic heat-up function</li> <li>■ Bridging function</li> <li>■ Power setting for all cooking zones</li> <li>■ Timer function</li> <li>■ Residual heat display</li> <li>■ Pan size recognition</li> <li>■ Pause function</li> <li>■ Heat retention function</li> <li>■ Childproofing feature</li> <li>■ Safety shut-down</li> <li>■ Power management is only possible at the front or rear on each side</li> </ul>

Exhaust system
<ul style="list-style-type: none"> <li>■ Energy-saving fan (EC motor)</li> <li>■ Freely adjustable power control</li> <li>■ Automatic cooktop extractor function</li> <li>■ Automatic after-run</li> <li>■ Safety shut-down</li> <li>■ Interface for external devices via Home In or Home Out</li> <li>■ Power setting</li> </ul>

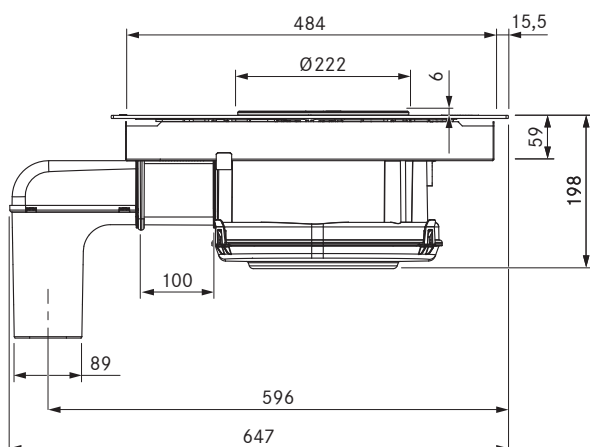
Scope of delivery
<ul style="list-style-type: none"> <li>■ Surface induction glass ceramic cooktop with BFIA cooktop extractor</li> <li>■ Stainless steel grease filter</li> <li>■ BLAVH horizontal exhaust air extension</li> <li>■ Mounting straps</li> <li>■ Sealing tape</li> <li>■ Glass ceramic scraper</li> <li>■ Cable routing clips</li> <li>■ Height adjustment plate set</li> <li>■ Operating and installation instructions</li> </ul>

Planning instructions
<ul style="list-style-type: none"> <li>■ Basic cooktop extractor system can be combined with the sockets USTF, USTE, USTJ, USTG and USTL</li> </ul>

Accessories
<ul style="list-style-type: none"> <li>■ BFF stainless steel grease filter</li> <li>■ BFIED air inlet nozzle</li> <li>■ BUSU recirculation conversion set</li> <li>■ UDB25 sealing tape</li> <li>■ UGPI1 grill pan</li> <li>■ BKR830 cooktop frame</li> <li>■ BLAVH1 exhaust air duct extension</li> </ul>

- Please note that induction-compatible cookware must be used on induction cooktops
- The connection cable must be provided at the installation site
- Front power socket
- Max. exhaust channel length: 6 m (max. 10 m possible with the additional duct fan)

### Installation option: BLAVH1 horizontal exhaust air duct extension



### Duct connection dimensions: BFIA with BORA Ecotube duct connection

